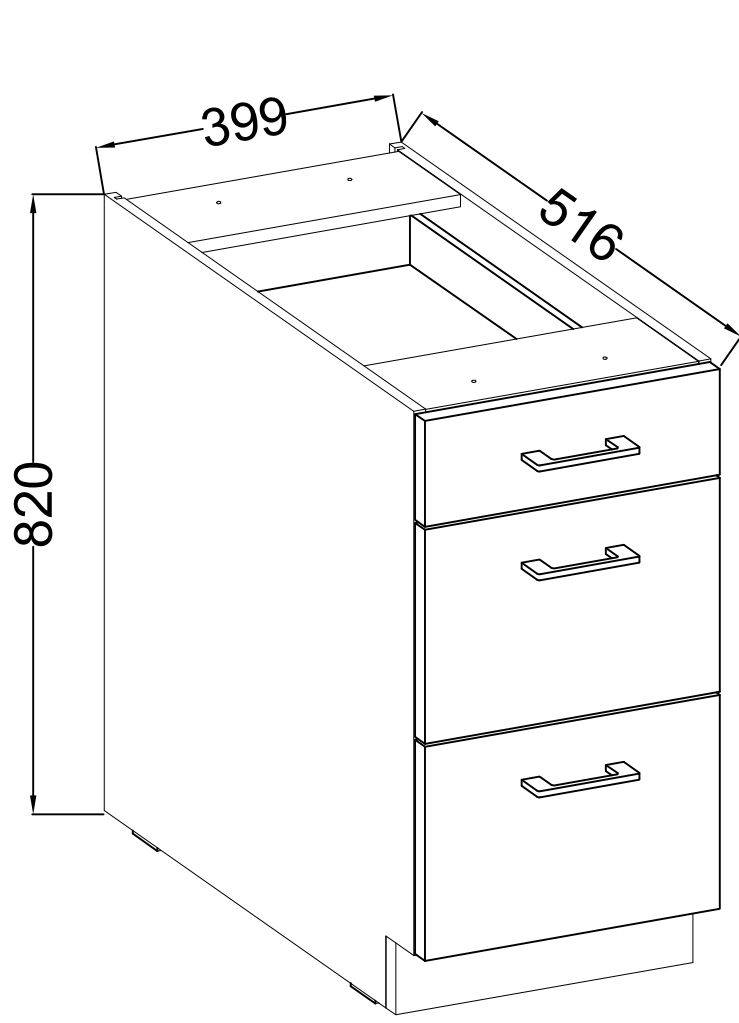

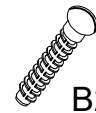


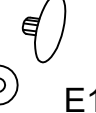

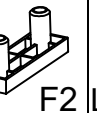

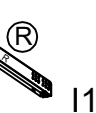

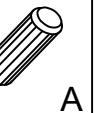






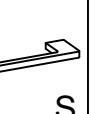
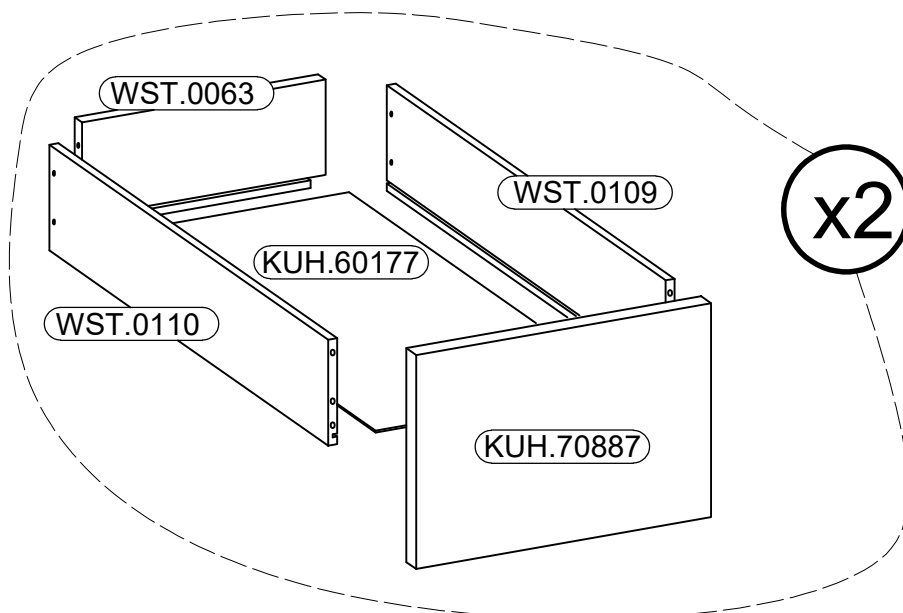
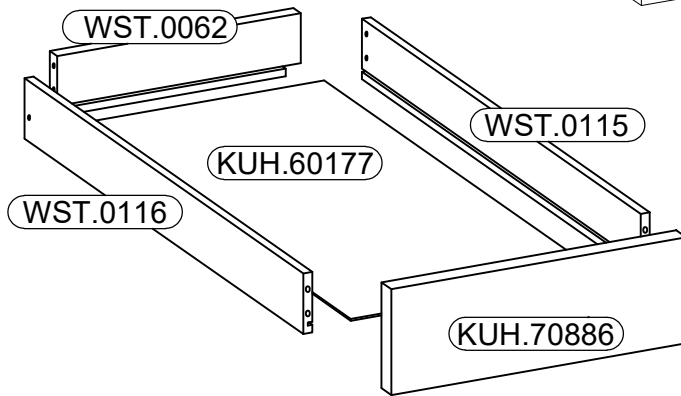
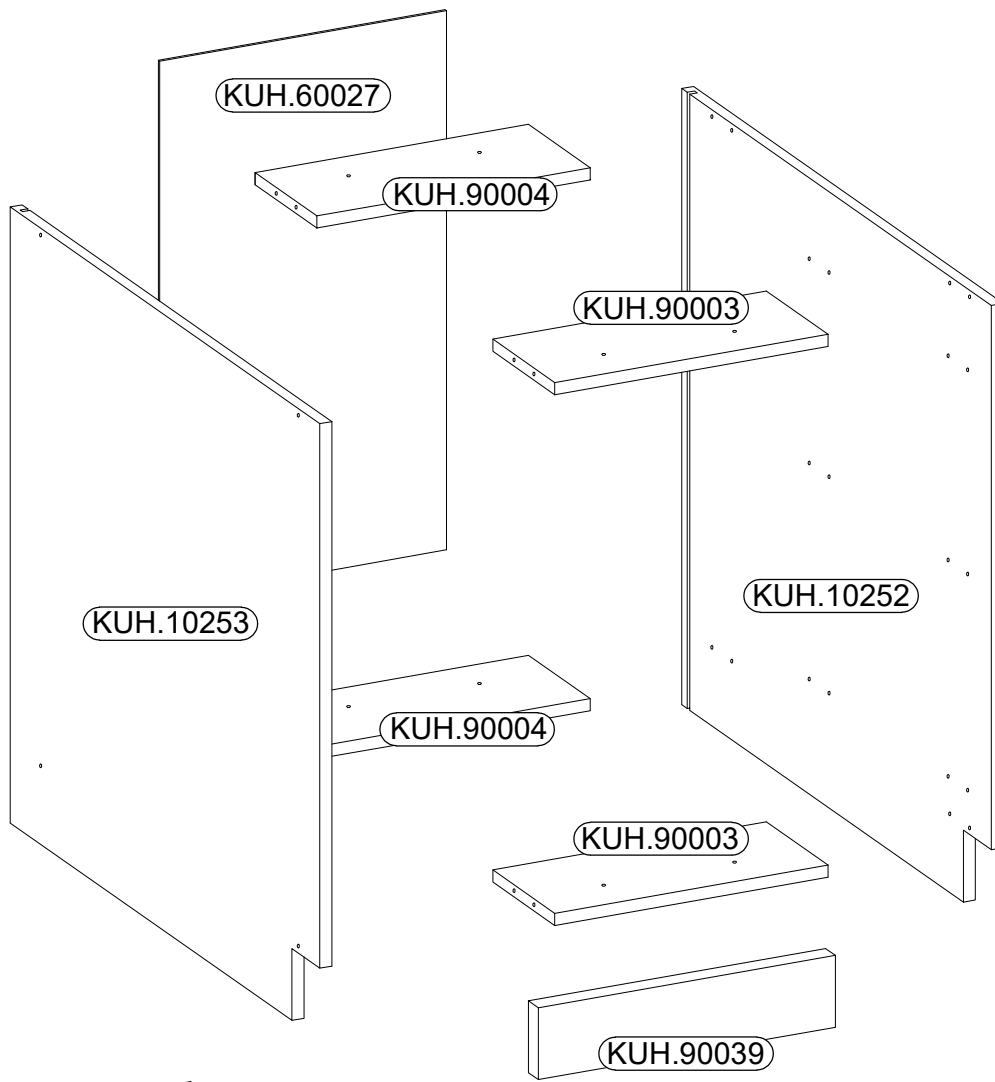


40 D 3S -
QUADRO

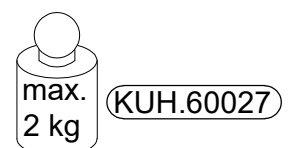


6,4 x 50mm  B	Ø6x42mm  B2	Ø12/10mm  C5	L=20mm  D2	 E1	 E9	6.5x48x16  F2	 L=450mm L	 R R	Ø6.3x13mm  M2	Ø8x30mm  A
8	10	6	6	8	2	4	3		24	20
 O	 O1	Ø4.0x45mm  P4	Ø3.0x20mm  P7	Ø4.0x35mm  R3	Ø4.0x30mm  R2	 S				
1	1	2	16	4	6	3				


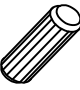

ISM-KUH-01534

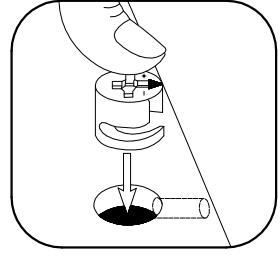
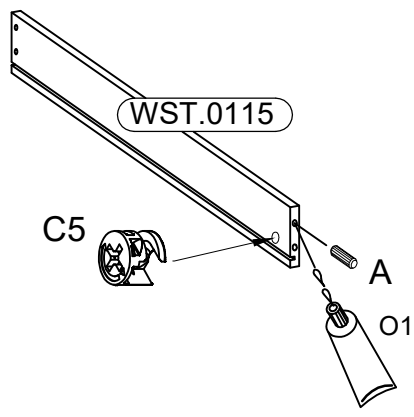
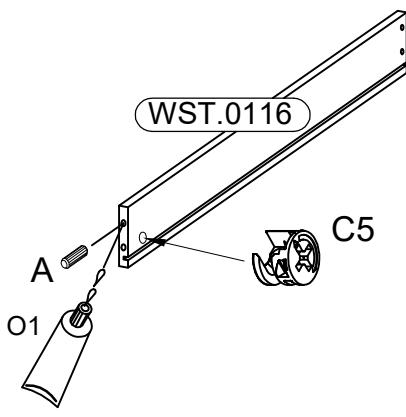
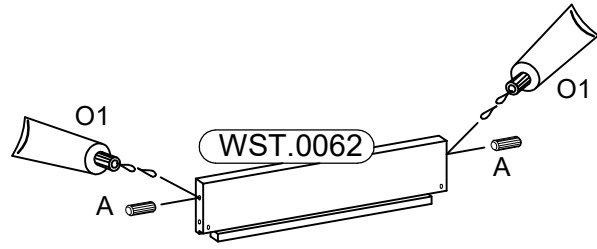
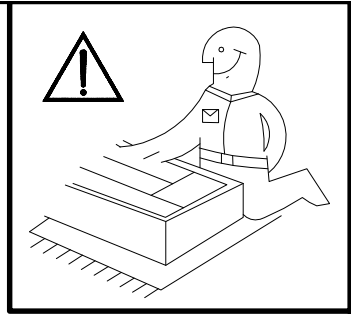


Ersatzteil Nummer	Dimension
KUH.10252	815x500x16
KUH.10253	815x500x16
KUH.60027	713x385x2,5
KUH.60177 x3	446x337x2,5
KUH.70886	140x396x16
KUH.70887 x2	283x396x16
KUH.90003 x2	367x100x16
KUH.90004 x2	367x100x16
KUH.90039	399x95x16
WST.0062	327x80x12
WST.0063 x2	327x140x12
WST.0109 x2	450x140x12
WST.0110 x2	450x140x12
WST.0115	450x80x12
WST.0116	450x80x12

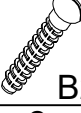



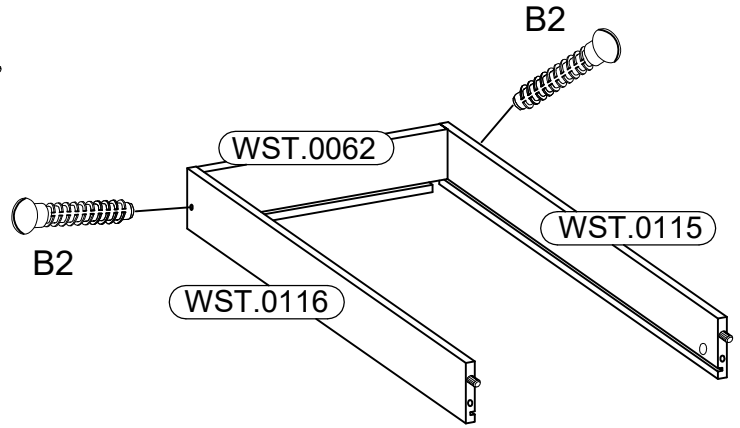
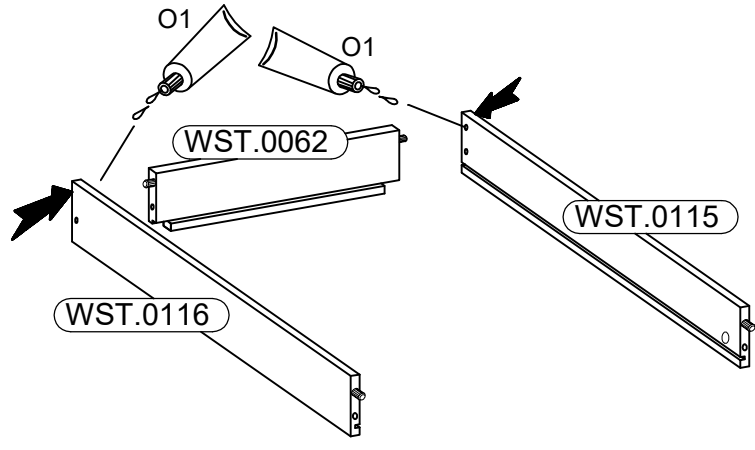
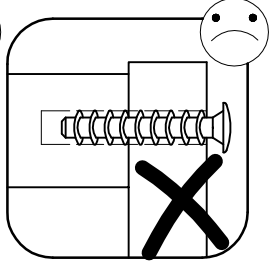
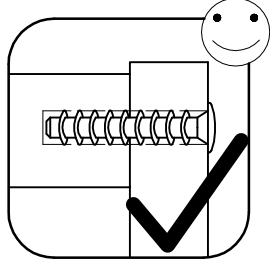
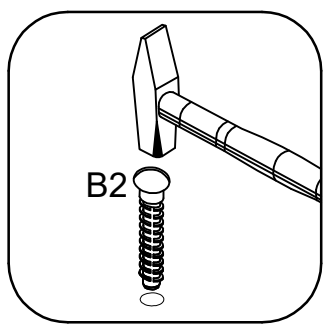
1

Ø12/10mm  C5	Ø8x30mm  A	 O1
2	4	1

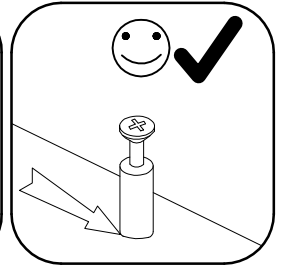
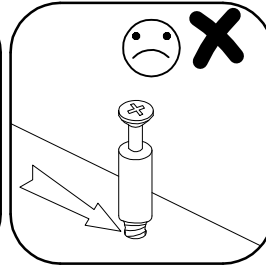
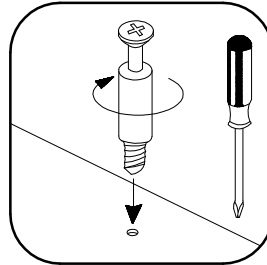
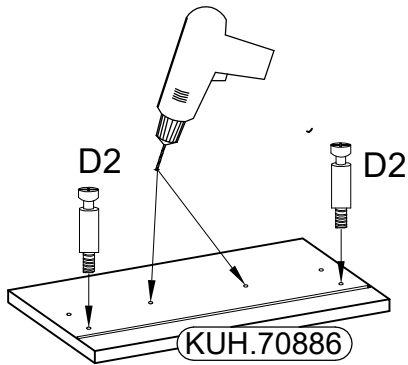
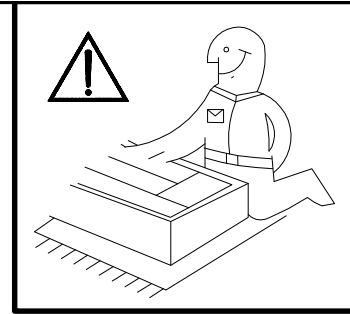
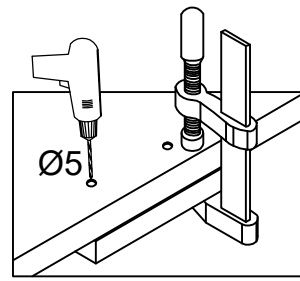
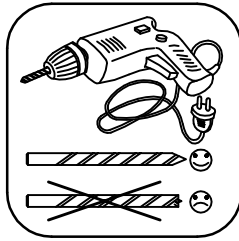
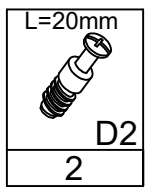


2

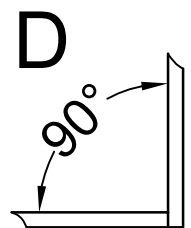
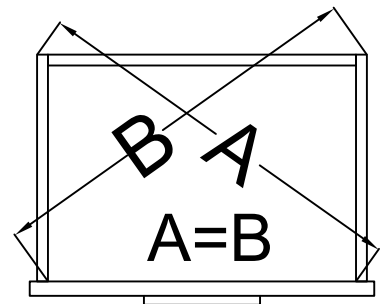
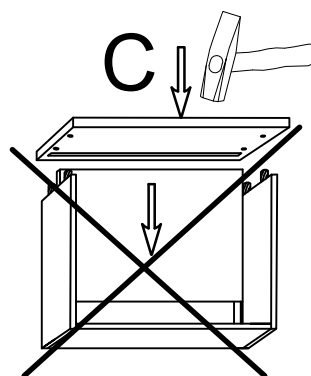
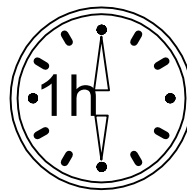
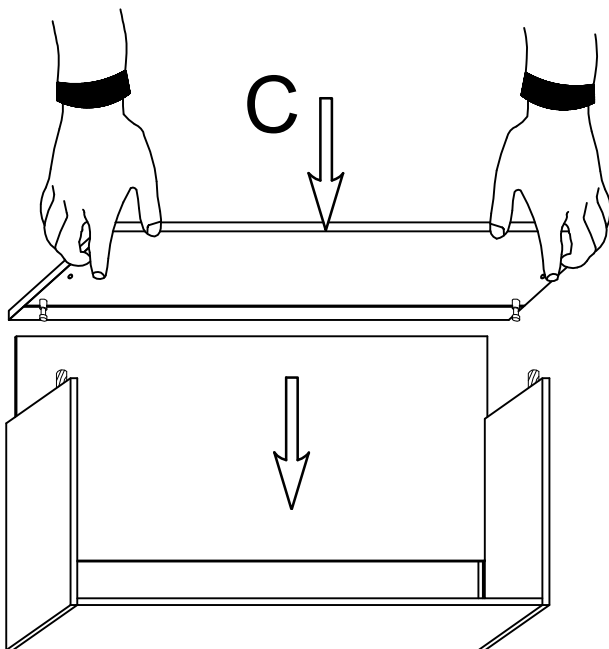
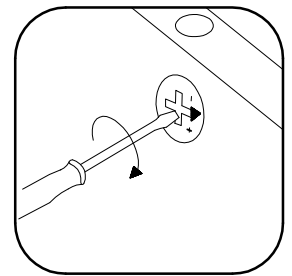
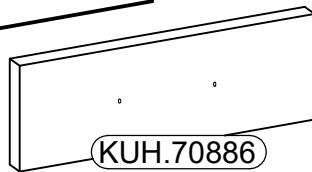
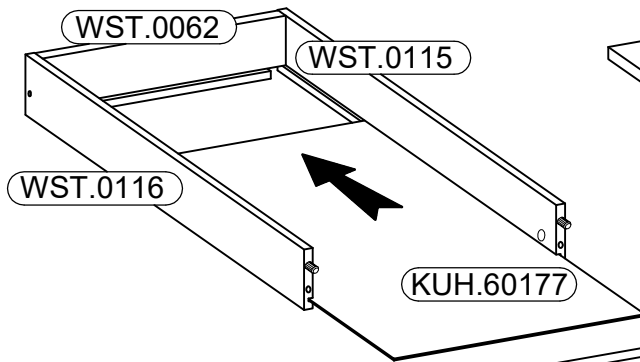
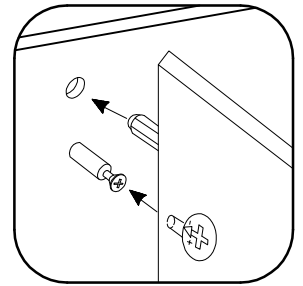
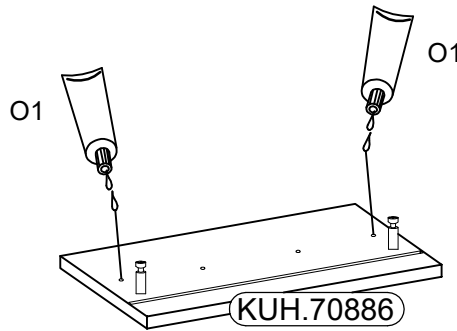
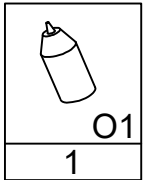
Ø6x42mm  B2	 O1
2	1




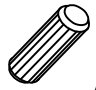

3



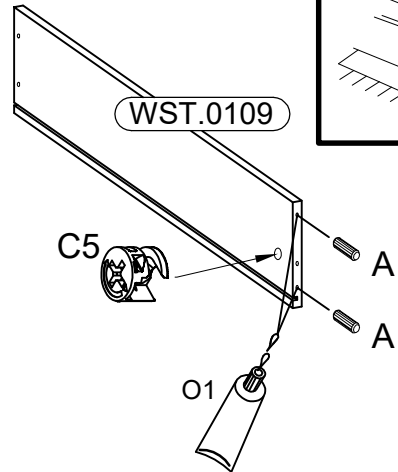
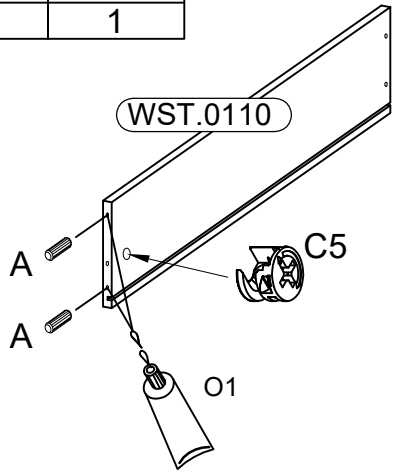
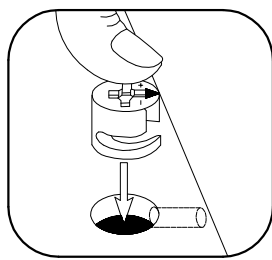
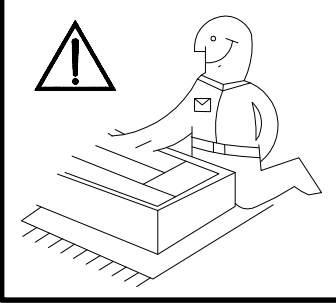
4




5

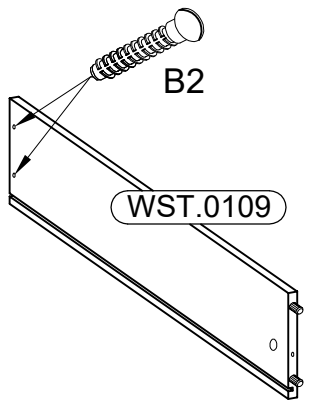
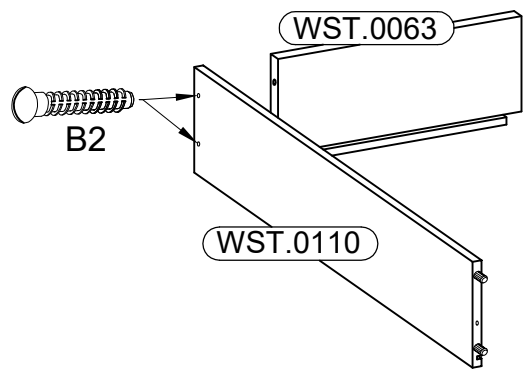
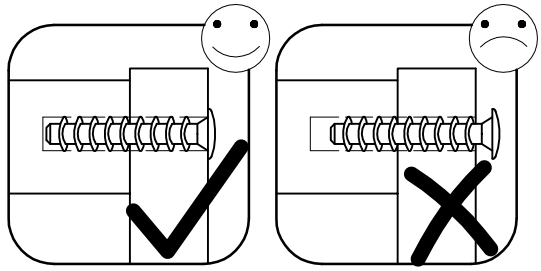
Ø12/10mm  C5 4	Ø8x30mm  A 8	 O1 1
---	---	---

x2

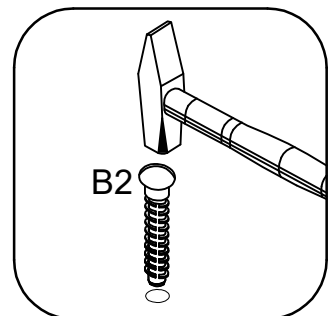


6


Ø6x42mm  B2 8



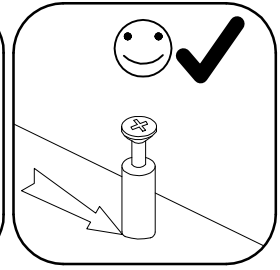
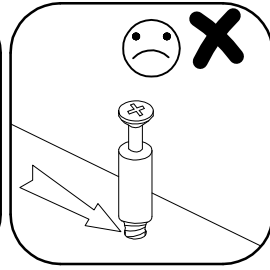
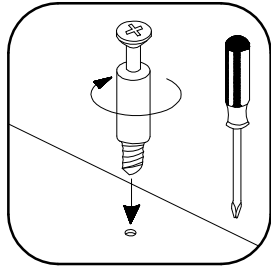
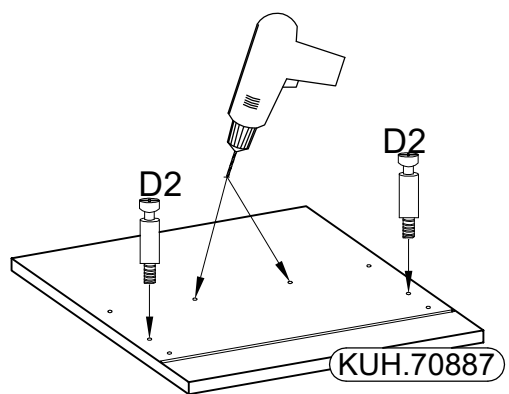
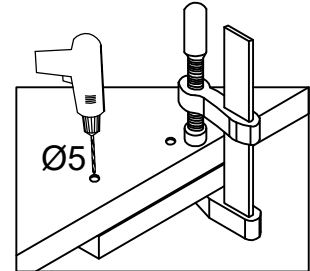
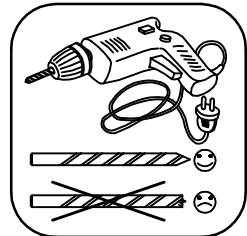
x2



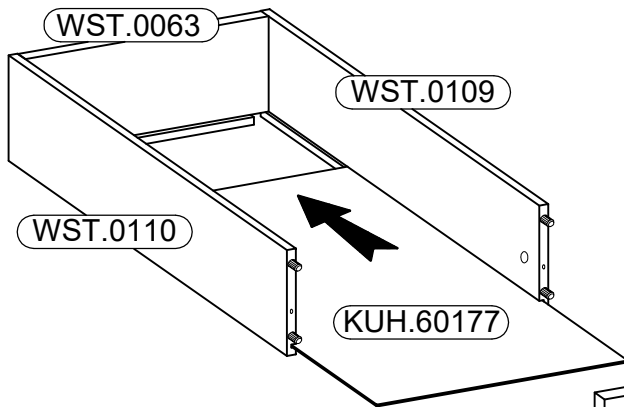
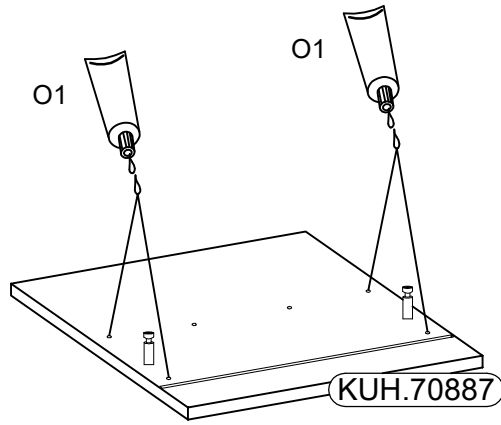
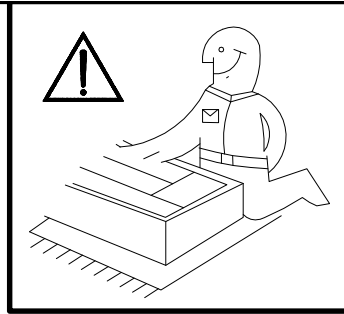
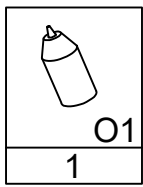
7

L=20mm  D2 4
--

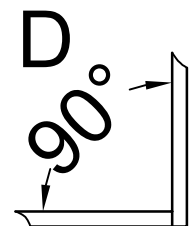
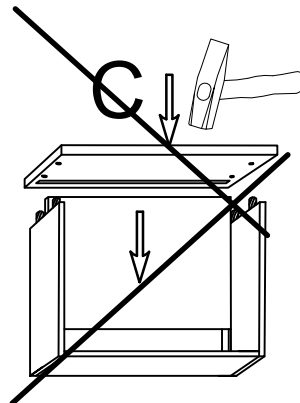
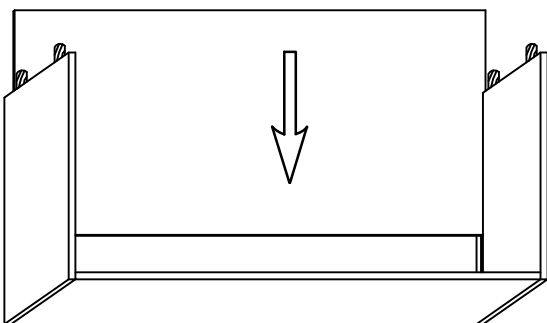
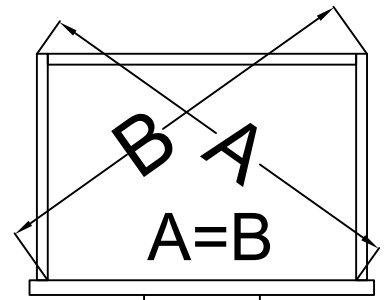
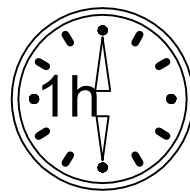
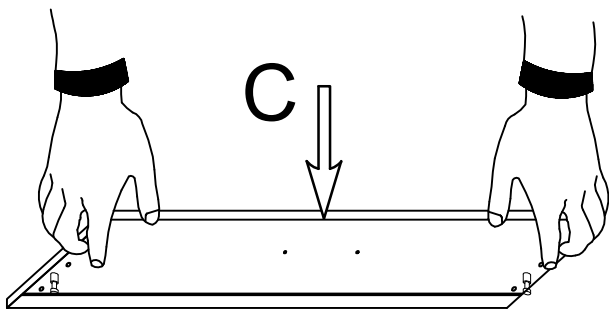
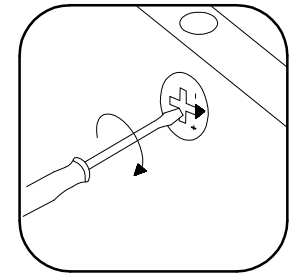
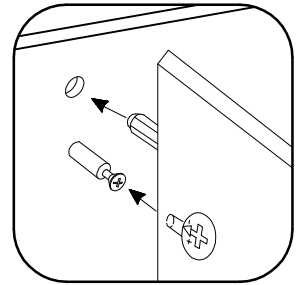
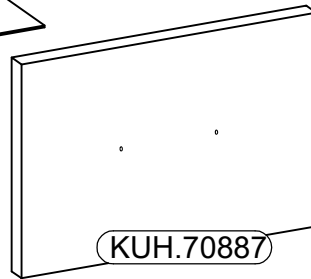
x2


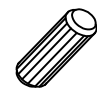
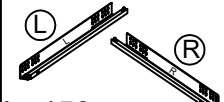



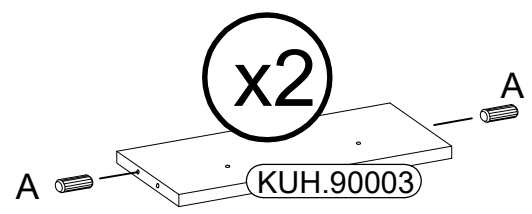
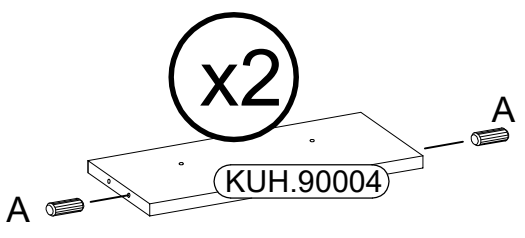
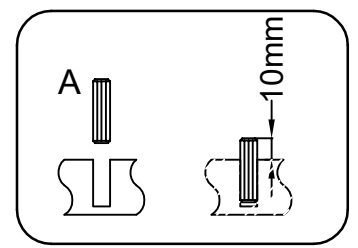
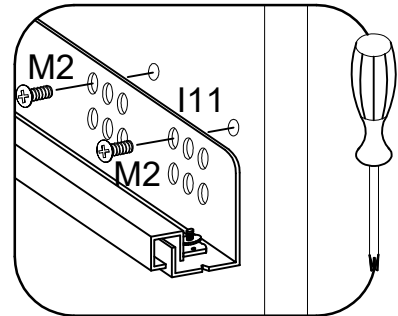
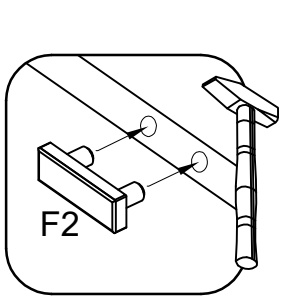
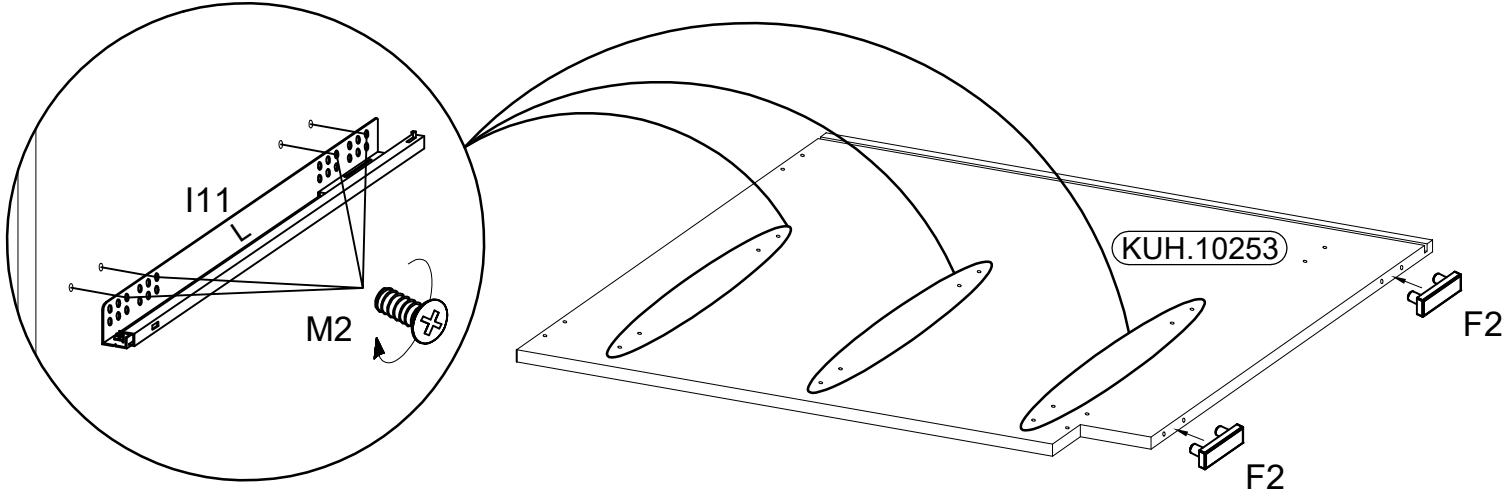
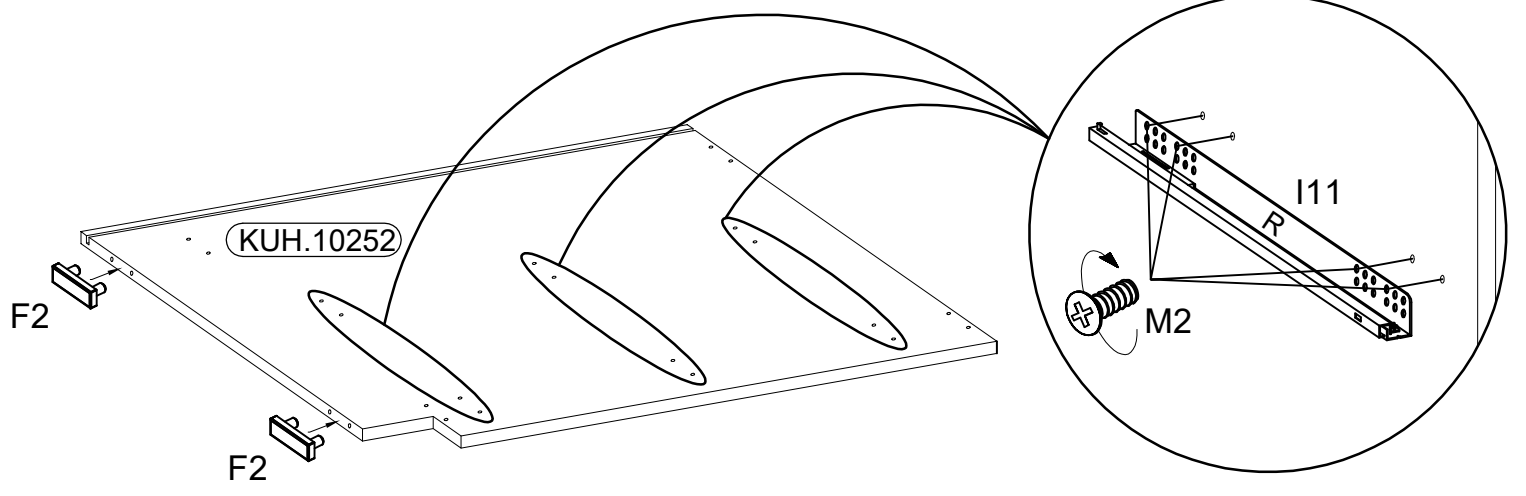
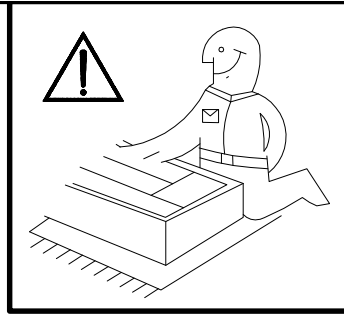
8






x2

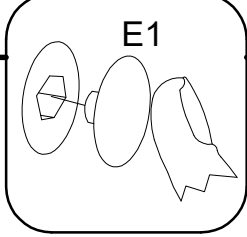
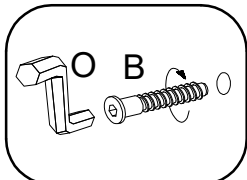
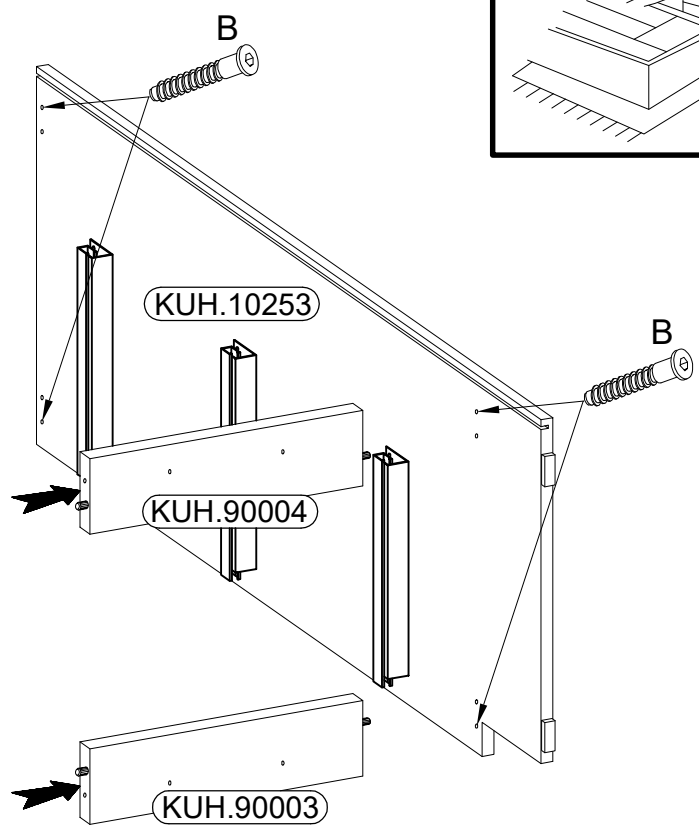
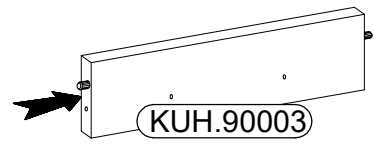
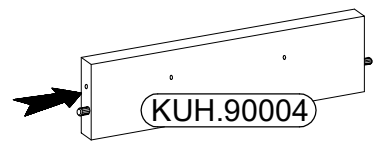
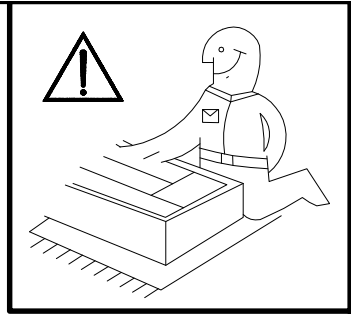


6.5x48x16  F2 4	Ø8x30mm  A 8	L=450mm  I11 3	Ø6.3x13mm  M2 24
--	---	---	---

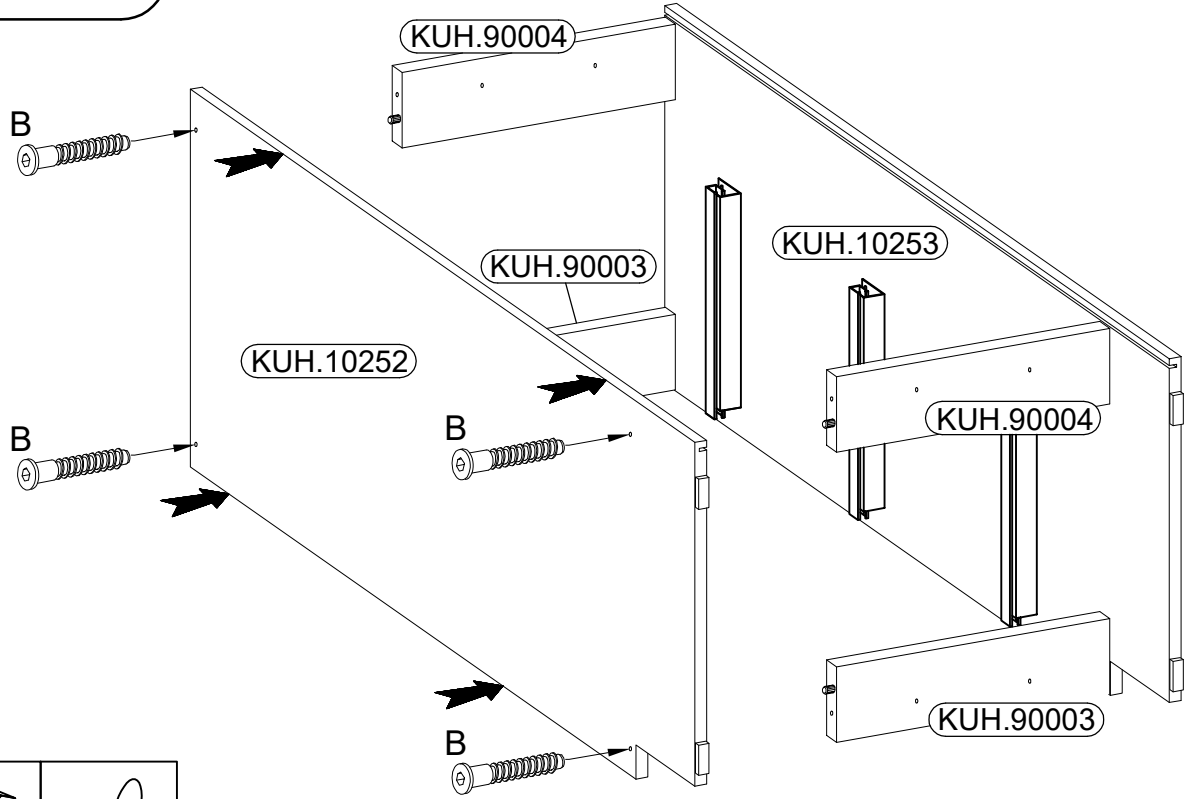





10

6,4 x 50mm		
		
B	O	E1
4	1	4

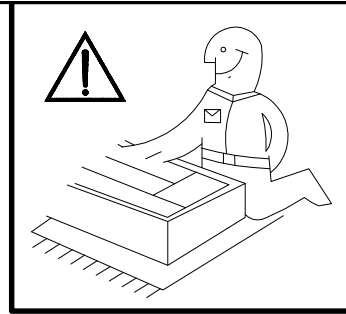
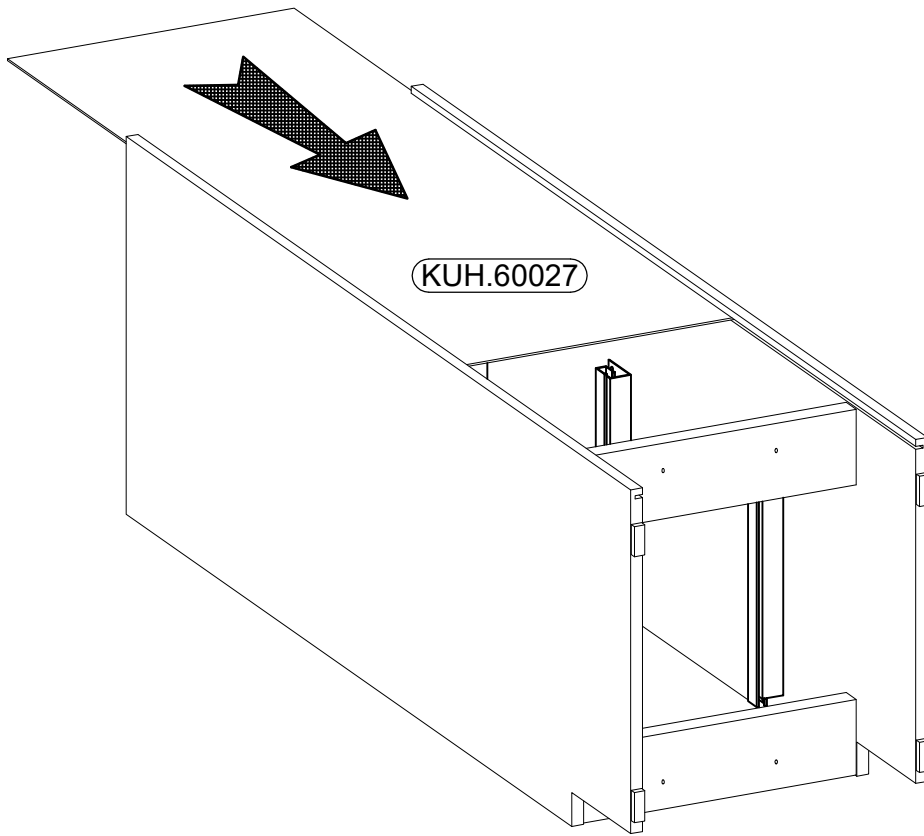


11

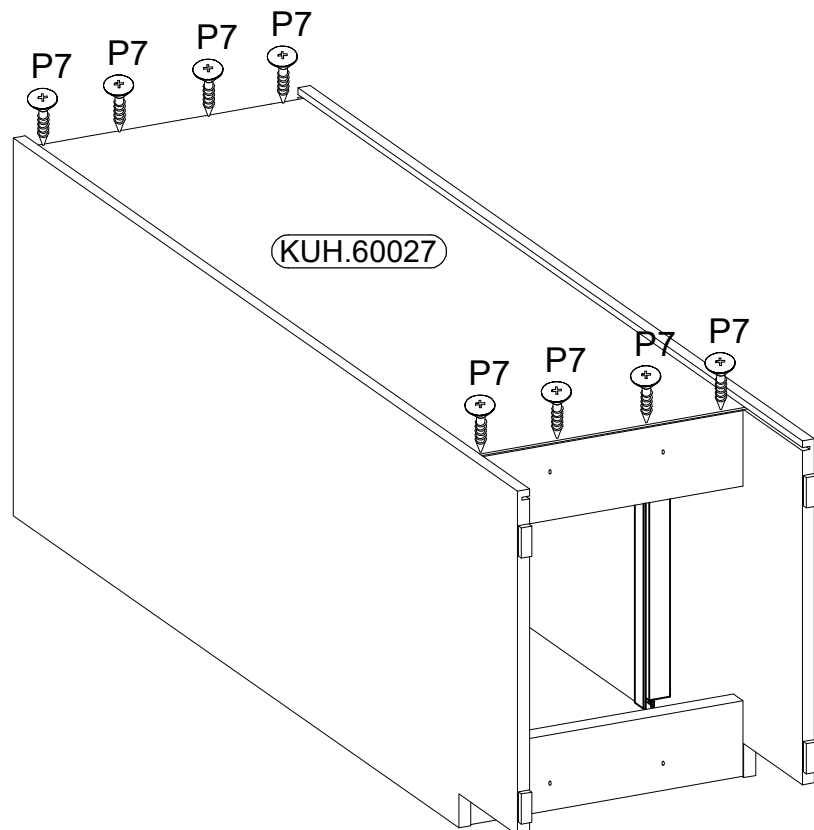
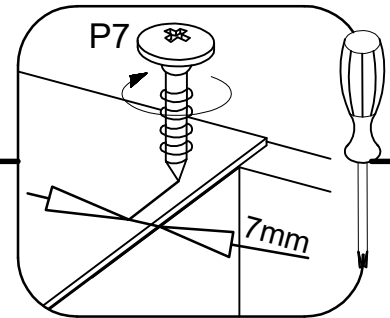
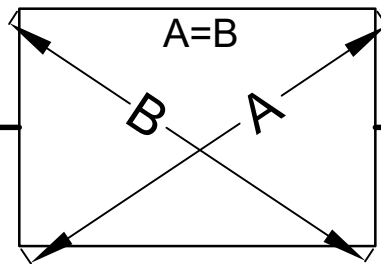
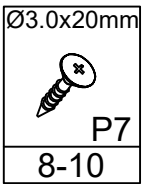





6,4 x 50mm		
		
B	O	E1
4	1	4

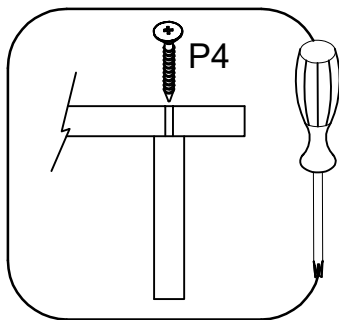
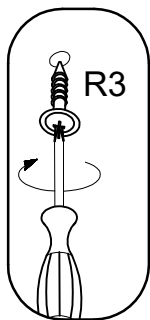
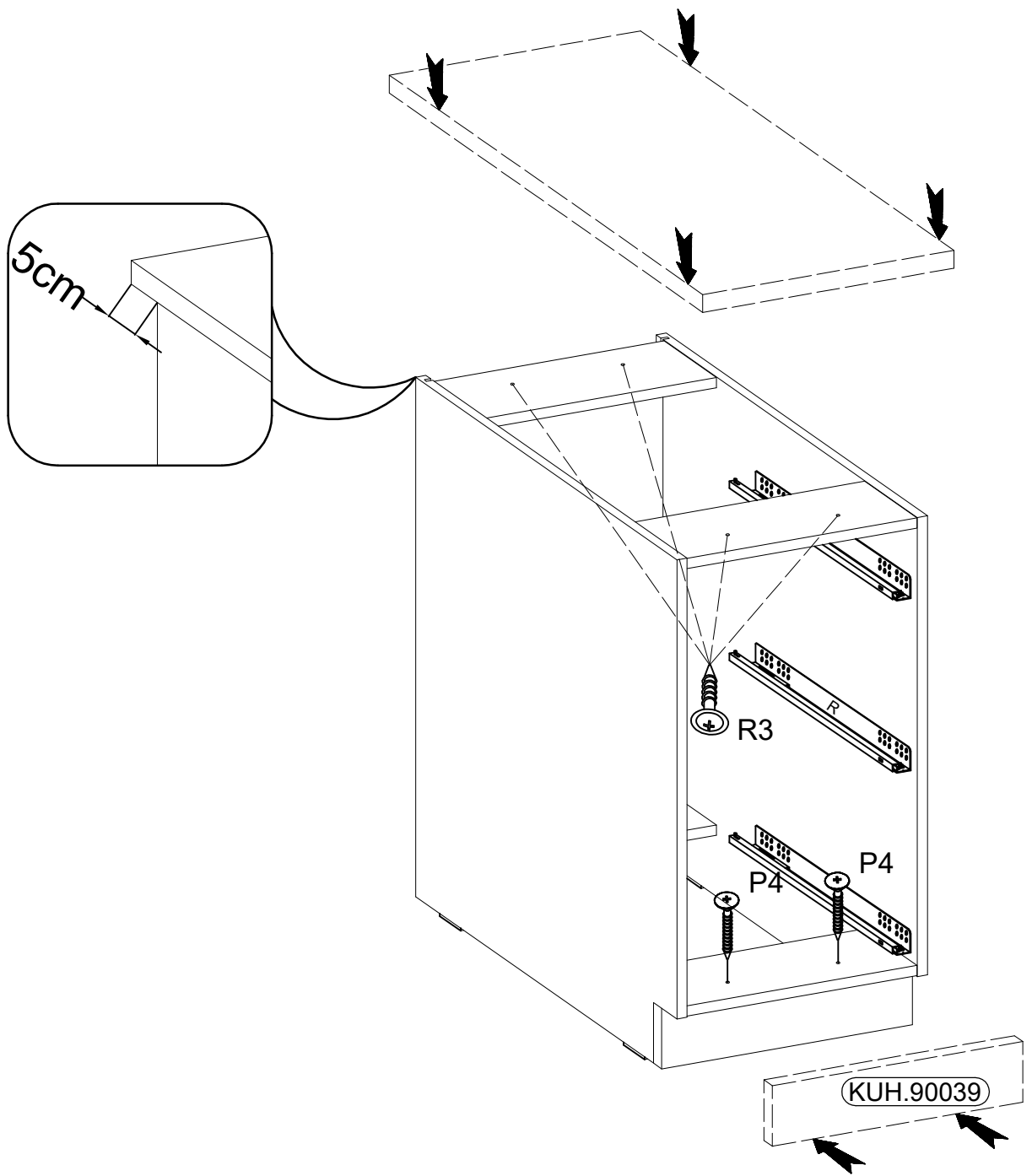
12

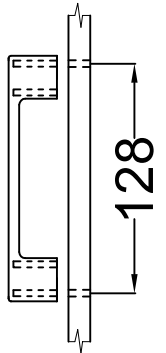
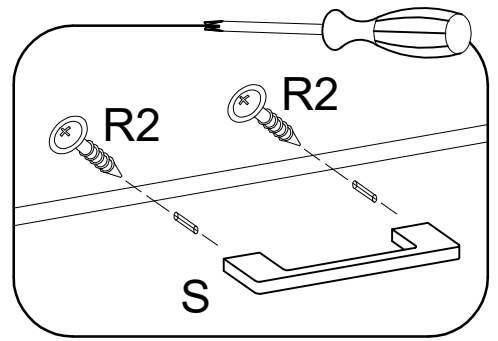
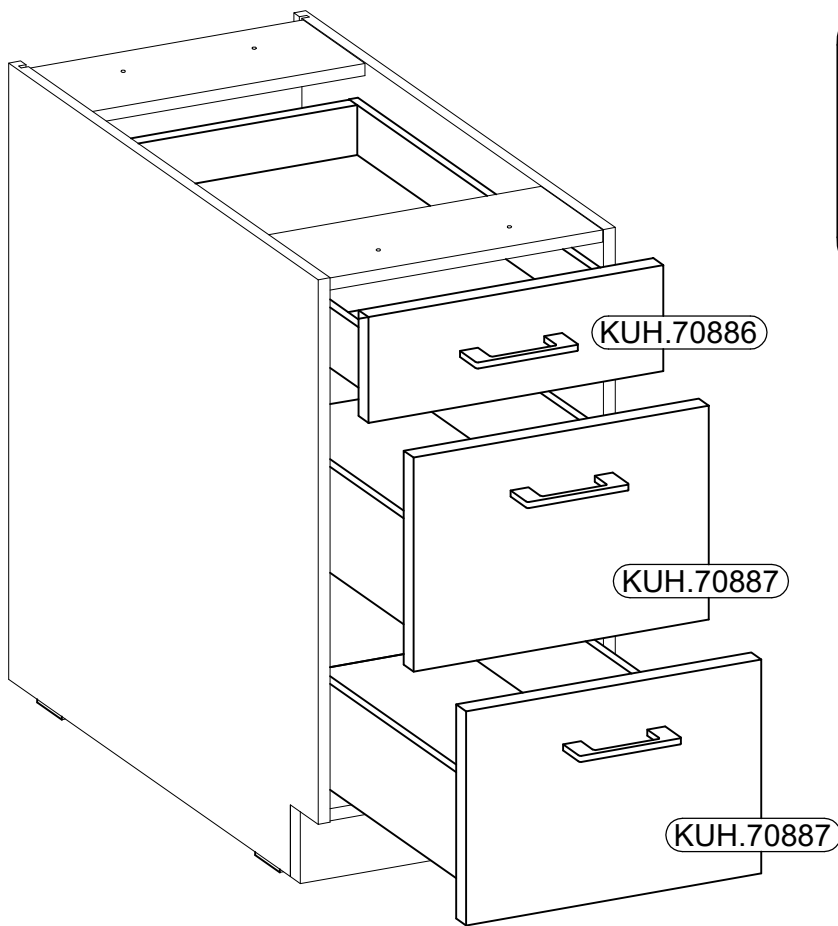


13

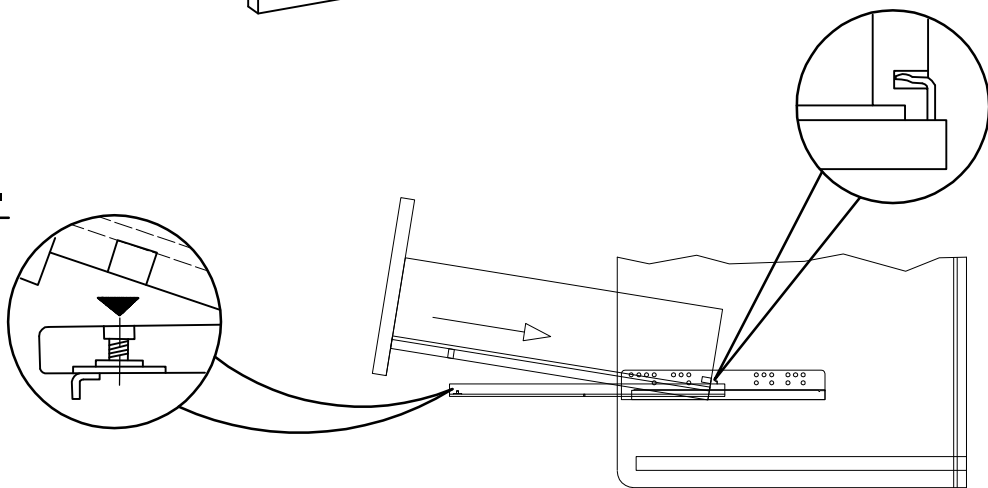


Ø4.0x45mm  P4 2	 E9 2	Ø4.0x35mm  R3 4
--	---	--

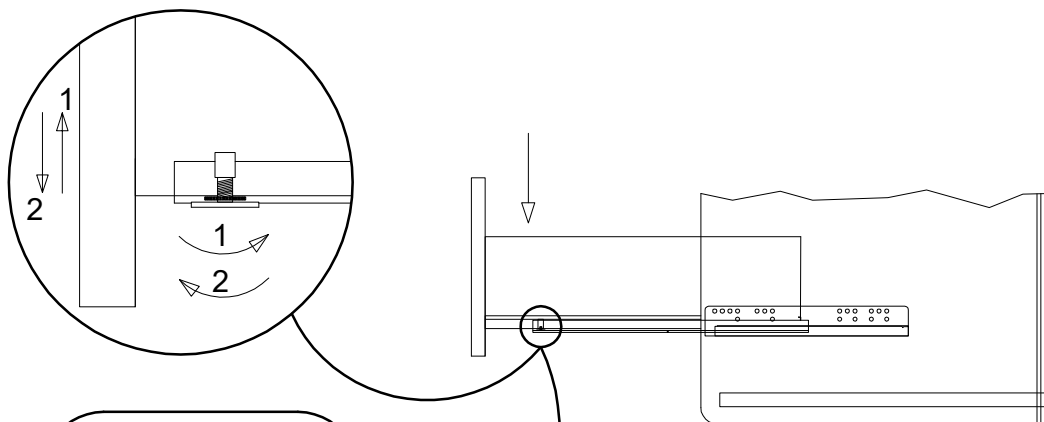




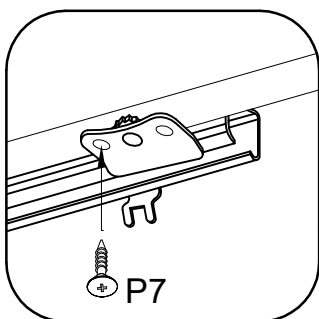
1.






2.



3.



 R2 6	 S 3	 P7 6
Ø4.0x30mm		Ø3.0x20mm